



www.santos.fr



"Classic" Citrus Juicer # 11

The genuine commercial
citrus juicer since 1954

For all citrus fruits :
Limes, lemons, oranges,
Grapefruits.

Ideal for hotels, bars, restaurants.



11 Yellow

Delivered with
3 removable
squeezers (cones).

Internationally Patented Models



"Classic"



Since 1954

The real commercial juicer, **built to last**, with a heavy duty and quiet asynchronous motor, for use everywhere you need a fresh squeezed citrus juice: Juice Bars, Health Food Stores, Hotels, Bars, Restaurants, Cafeterias, Ice Cream shops, Institutions, Hospitals and even...at Home.

High output : just cut your citrus half and press. You will extract easily from 20 to 40 litres per hour (5 to 10 gallons).



Removable bowl yellow or black. Unbreakable - food material (NSF approved).

Chromed or painted (yellow or grey) motor base.

Inclined body for better output

3 removable squeezers (cones) for :
✓ Limes
✓ Lemons
✓ Oranges
✓ Grapefruits



Wide spout accepting all types of glasses. Height of the spout :
✓ 125 mm (5")

Heavy duty and quiet asynchronous motor. High speed.

Removable polycarbonate drip tray.



11 C Chromed



11 Yellow



11 Grey



Juicer # 11

Easy to use - Easy to clean - Completely safe

The unique juicer that you can clean **quickly and easily** : just wash the main different parts of the top. All are easily removed from the base in a simple movement. (NSF approved)



Cones
Metallic ring
Grid
Plastic bowl
Body



Technical specifications

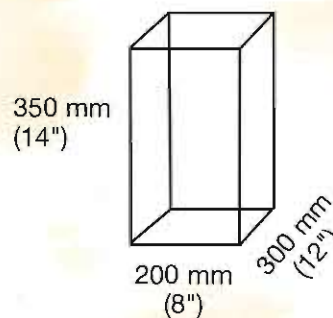
Motor :

Single phase 100-120V - 50/60 Hz - 155 W - **NSF**
220-240V - 50/60 Hz - 130 W - **CE, GS**

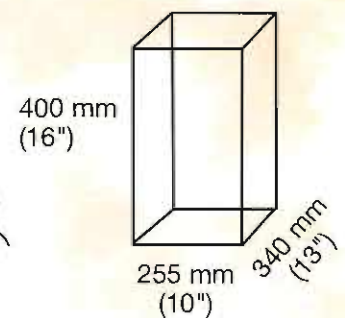
Speed 1500 RPM (50 Hz)
1800 RPM (60 Hz)

Weight : Net 5 Kg (11 lbs)
Packed 5.6 Kg (12 lbs)

Appliance :



Shipping box :



Safety - Standards - Hygiene

This Juicer has been designed to comply with the most severe international safety and hygiene regulations in conformity with the standards, especially :

- Machinery directive 98/37/EC
- Electromagnetic compatibility 89/336/EEC
- Electrical equipment designed for use within certain voltage limits "low voltage" 73/23/EEC
- RoHS directive 2002/95/EC
- Harmonized European standards EN 12100-1 and 2 : 2004-EN 60204-1 : 2006-EN 603351 : 2002
- CE European standards
- GS (Germany) controlled by LNE laboratory
- NSF (USA)

Electrical safety

- On/Off interlock switch is waterproof
- All mechanical parts are ground (earth) connected
- All equipment is 100% tested at the end of assembly (special electrical testing bay)

Thermal safety

Motor protected by internal thermal detector.

Acoustic safety

The asynchronous motor with direct drive is particularly silent

Hygiene

All removable parts can be put in a dishwasher or easily cleaned with hot soapy water (NSF approved).

"Classic" Citrus juicer # 11

