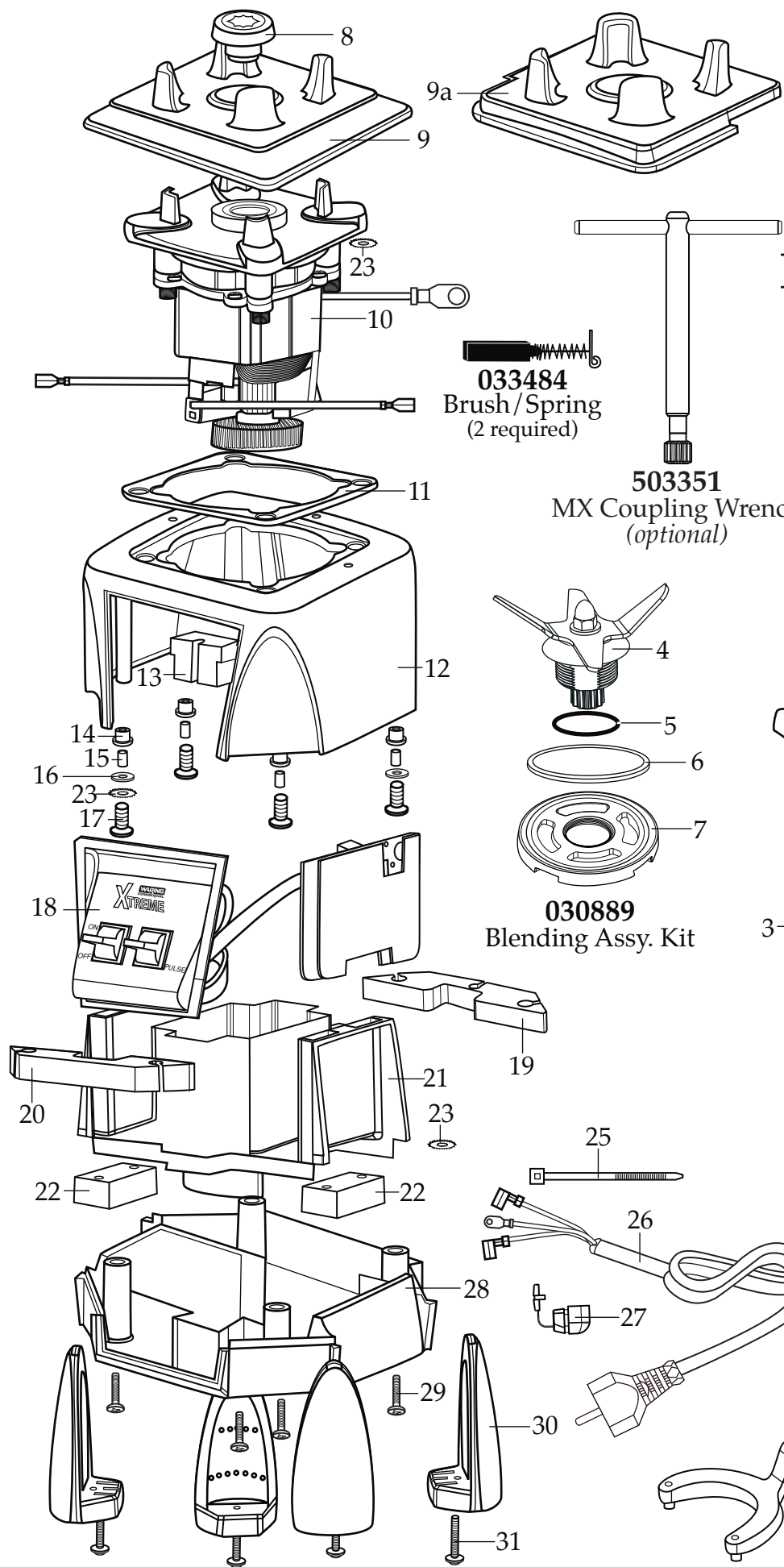




**MX1000XTXEE**  
64 oz. stackable container / Europe

**MX1000TXSEE**  
64 oz. stackable container with  
Sound Enclosure / Europe

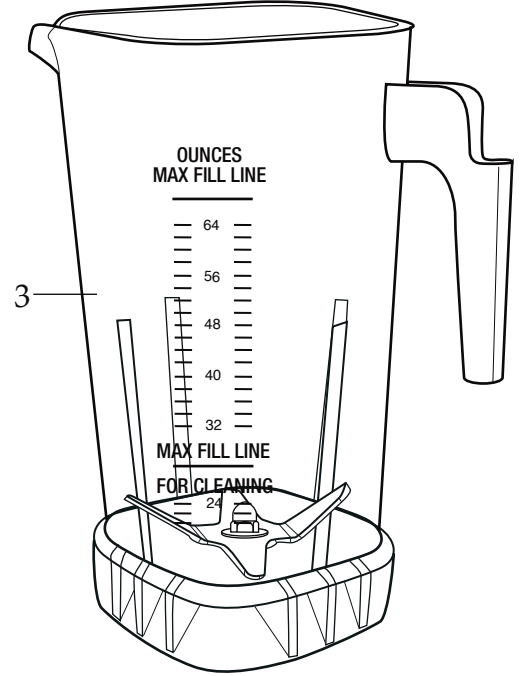


**033484**  
Brush/Spring  
(2 required)

**503351**  
MX Coupling Wrench  
(optional)

**030889**  
Blending Assy. Kit

**032322**  
2 Piece Lid



**503392**  
Spanner Wrench  
(optional)

**Catalog**  
MX1000XTXEE  
MX1000XTXSEE

**Model**  
MX1000XT11CE  
MX1000XT12CE



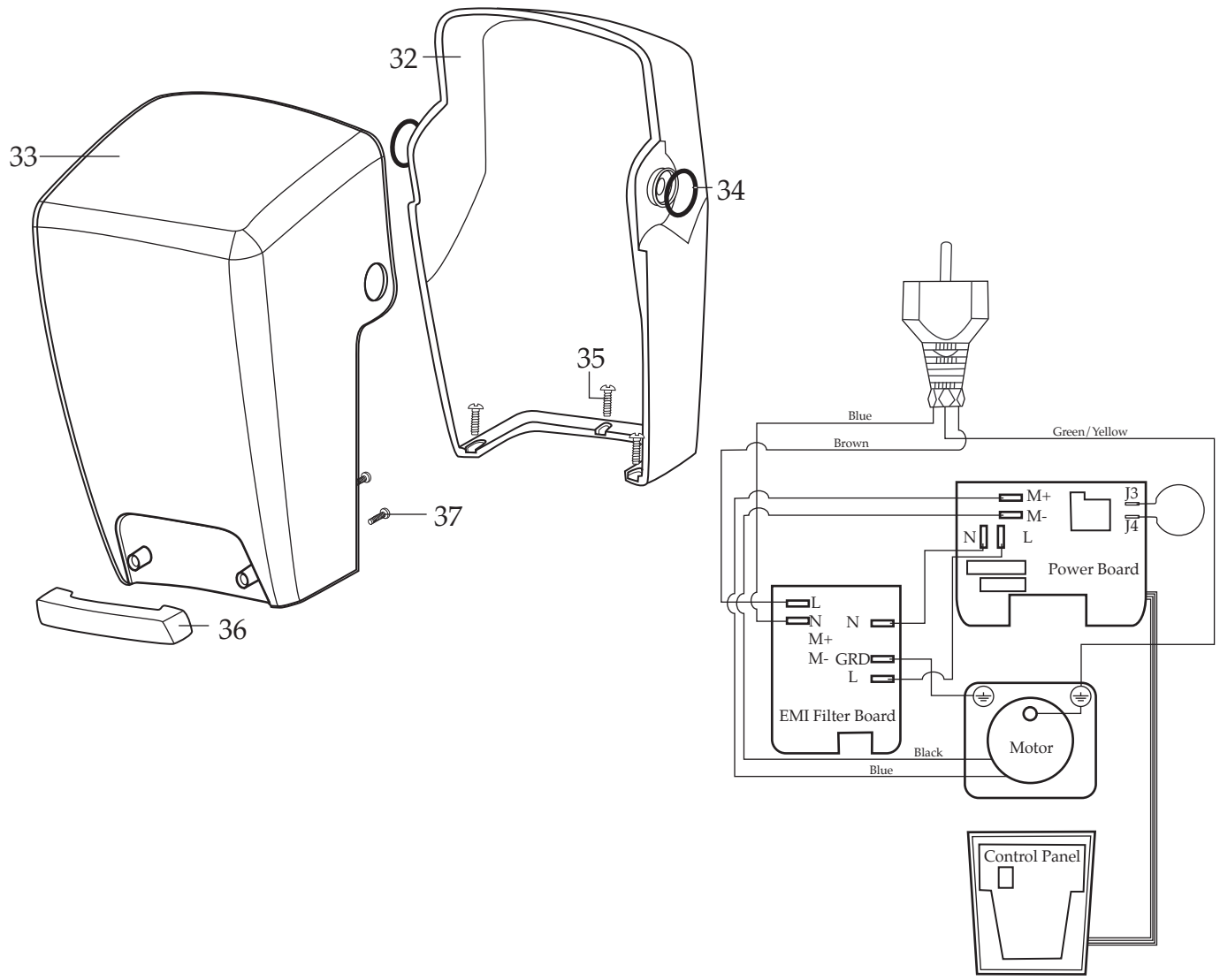
<b>Illustration #</b>	<b>Part #</b>	<b>Description</b>
1	028769-E	Jar Lid Cover
2	028768	Jar Lid
3	503326 503398	Jar ONLY Jar with Blending Assy. /64 oz. stackable
4	503397	Blade Assy.
5	024271	Bearing Holder O Ring
6	024268	Nut Gasket
7	029631	Bearing Holder Nut
8	028538	Drive Clutch
9	026442	Jar Pad
9a	026443	Jar Pad /sound enclosure
10	028823	Motor
11	026437	Dampening Plate Gasket
12	028032-09	Top Housing /black
13	028541	Motor Foam 2 Req.'d
14	026439	Dampening Plate Bushing 4 Req.'d
15	026453	Dampening Plate Sleeve 4 Req.'d
16	026459	Washer 2 Req.'d
17	028929	Screw 4 Req.'d
18	028394	Control Panel
19	028248	Housing Foam Baffle /rear
20	028249	Housing Foam Baffle /front
21	028240	Motor Housing
22	028247	Bottom Housing Foam Baffle
23	002943	Washer 3 Req.'d
24	028542	Foam Baffle
25	013731	Cable Tie 3 Req.'d
26	503141	Cord Set
27	007556	Strain Relief
28	028241-09-x	Bottom Housing /black
29	012505	Screw 4 Req.'d
30	026430	Corner Post 4 Req.'d

**Catalog**  
 MX1000XTXEE  
 MX1000XTXSEE

**Model**  
 MX1000XT11CE  
 MX1000XT12CE

**Waring Factory Service Center**  
 314 Ella T. Grasso Ave.  
 Torrington, CT 06790  
 Tele. 1-800-269-6640  
 Fax 860-496-9017  
 www.waringproducts.com

Illustration #	Part #	Description
31	028928	Screw 4 Req.'d
32	026432-E	Inner Enclosure / 64 oz.
33	026433-E	Outer Enclosure / 64 oz.
34	027447	O Ring 2 Req.'d
35	026461	Screw 3 Req.'d
36	026434	Sound Enclosure Handle
37	012505	Screw 2 Req.'d



**Wiring Diagram**