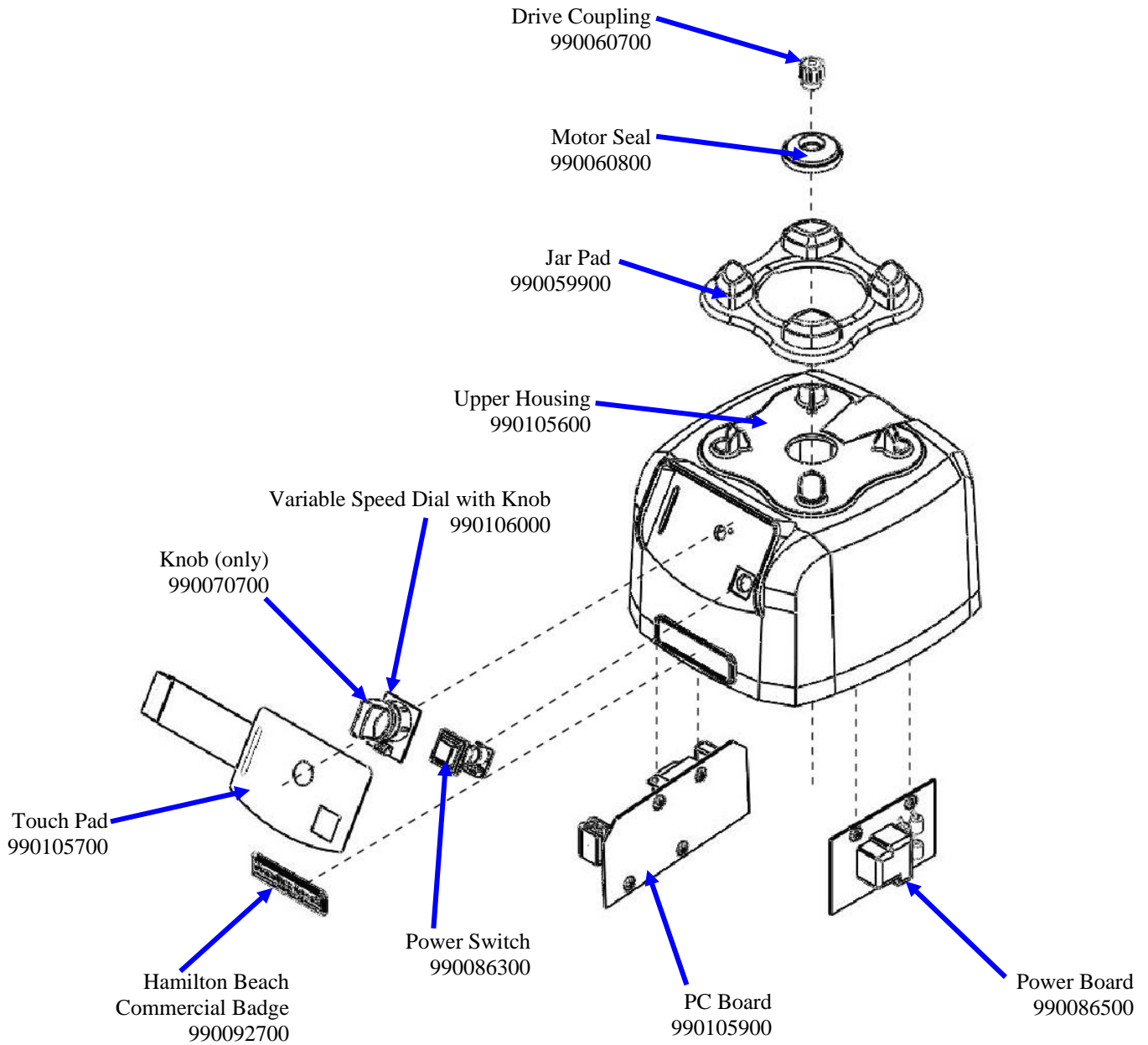



Replacement Parts Diagrams

HBF600-CE (Series A)

PROPRIETARY RIGHTS NOTICE This document and all information contained within it is the property of Hamilton Beach Brands, Inc. (HBB). It is confidential and proprietary and has been provided to you for a limited purpose. It must be returned or destroyed upon request. Disclosure, reproduction or use of this document and any information contained within it, in full or in part, for any purpose is forbidden without the prior written consent of HBB. No photographs may be taken of any article fabricated or assembled from this document without the prior written consent of HBB.

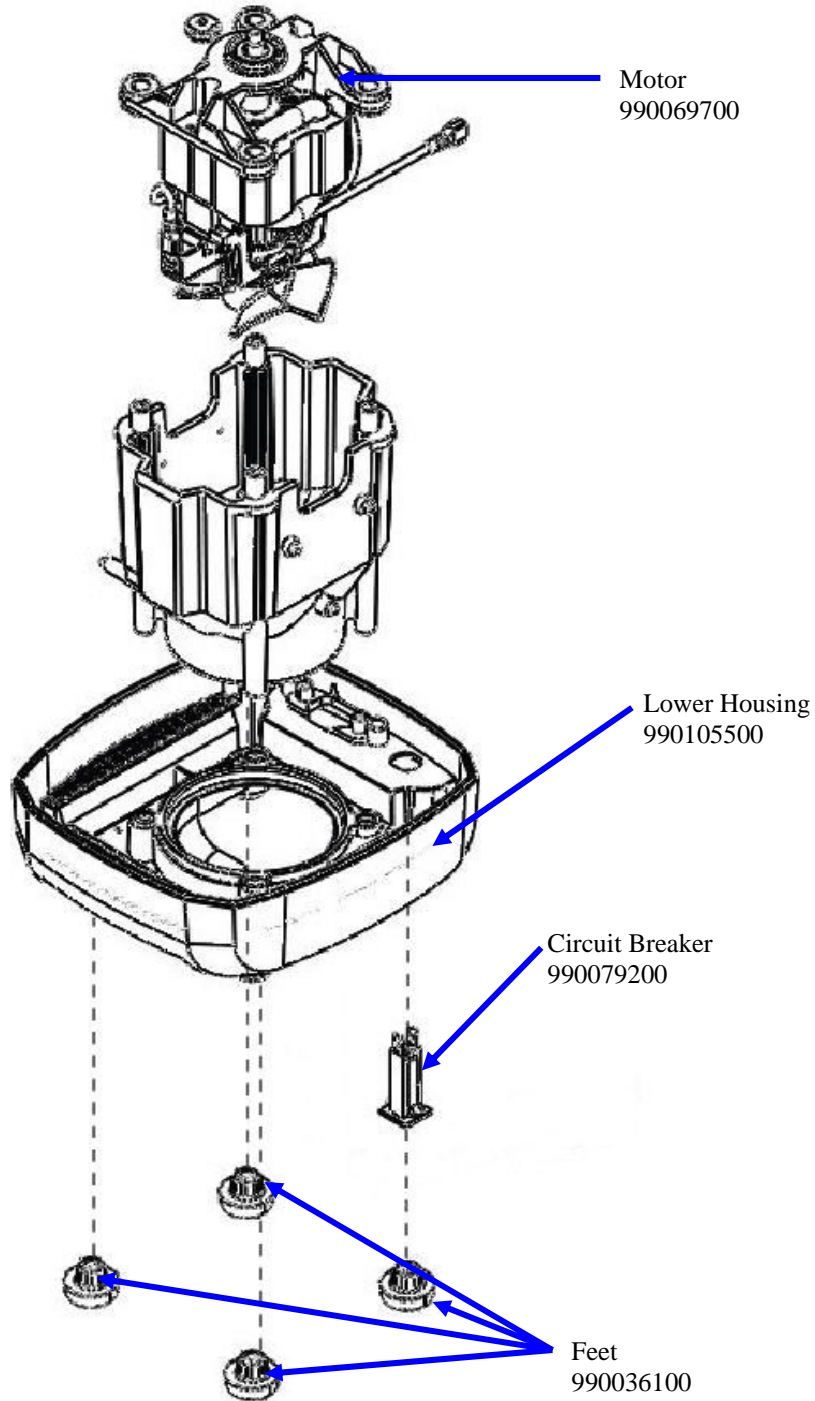


 Hamilton Beach 4421 Waterfront Drive Glen Allen, VA 23060	Revision Description:	Changed Circuit Breaker p/n to 990079200					
	Request Number:	CME-2765	Revision Date:	2/24/11	Approved by:	CME-2765	
	Issue Code(s):	CS, SP	Page:	1 of 3	Document #:	540002300	Rev:

Replacement Parts Diagrams


HBF600-CE (Series A)

PROPRIETARY RIGHTS NOTICE This document and all information contained within it is the property of Hamilton Beach Brands, Inc. (HBB). It is confidential and proprietary and has been provided to you for a limited purpose. It must be returned or destroyed upon request. Disclosure, reproduction or use of this document and any information contained within it, in full or in part, for any purpose is forbidden without the prior written consent of HBB. No photographs may be taken of any article fabricated or assembled from this document without the prior written consent of HBB.



Not Shown:

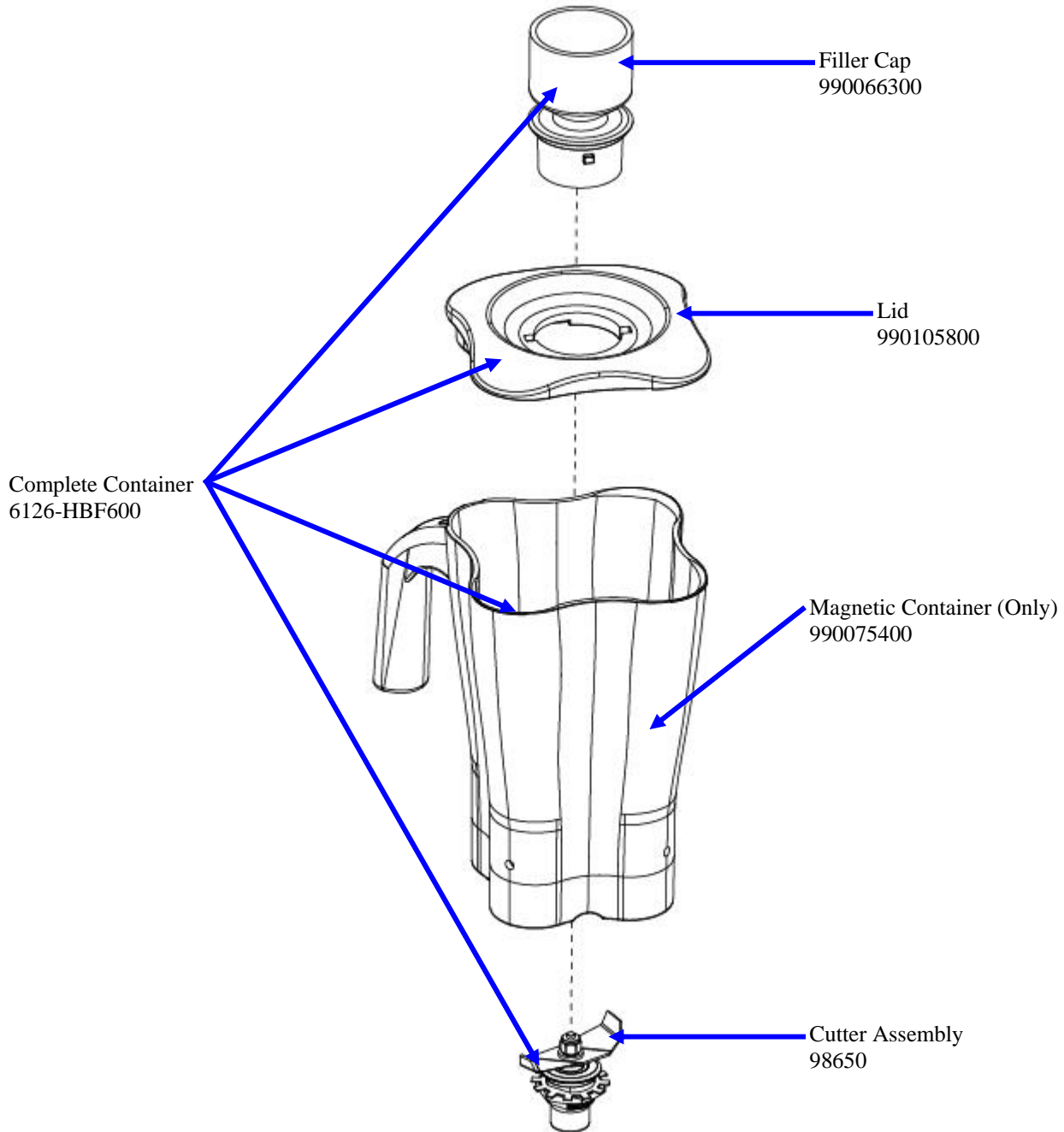
- Power Cord – 990054200
- Cord Socket – 990064800
- Motor Brush Kits – 990075300
- Jar Sensor - 990084400


 4421 Waterfront Drive Glen Allen, VA 23060	Revision Description:		Changed Circuit Breaker p/n to 990079200			
	Request Number:	CME-2765	Revision Date:	2/24/11	Approved by:	CME-2765
	Issue Code(s):	CS, SP	Page:	2 of 3	Document #:	540002300
					Rev:	C

Replacement Parts Diagrams

HBF600-CE (Series A)

PROPRIETARY RIGHTS NOTICE This document and all information contained within it is the property of Hamilton Beach Brands, Inc. (HBB). It is confidential and proprietary and has been provided to you for a limited purpose. It must be returned or destroyed upon request. Disclosure, reproduction or use of this document and any information contained within it, in full or in part, for any purpose is forbidden without the prior written consent of HBB. No photographs may be taken of any article fabricated or assembled from this document without the prior written consent of HBB.



 4421 Waterfront Drive Glen Allen, VA 23060	Revision Description:		Changed Circuit Breaker p/n to 990079200			
	Request Number:	CME-2765	Revision Date:	2/24/11	Approved by:	CME-2765
	Issue Code(s):	CS, SP	Page:	3 of 3	Document #:	540002300
					Rev:	C