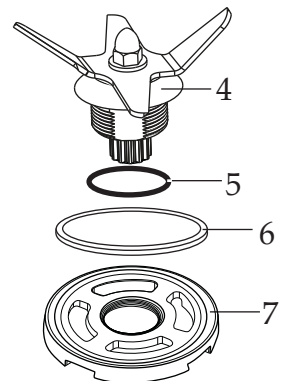
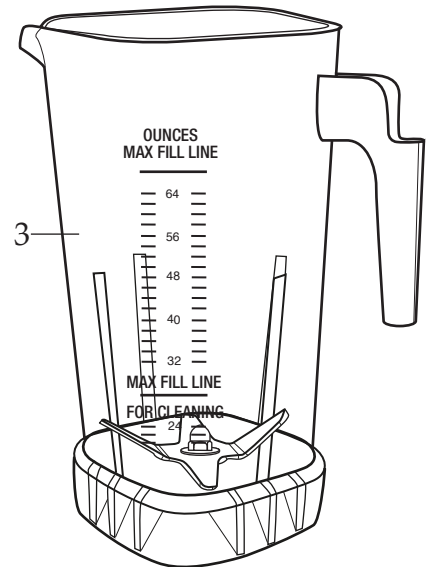
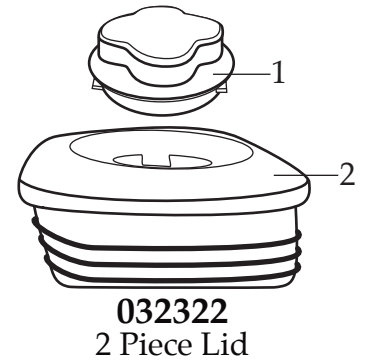
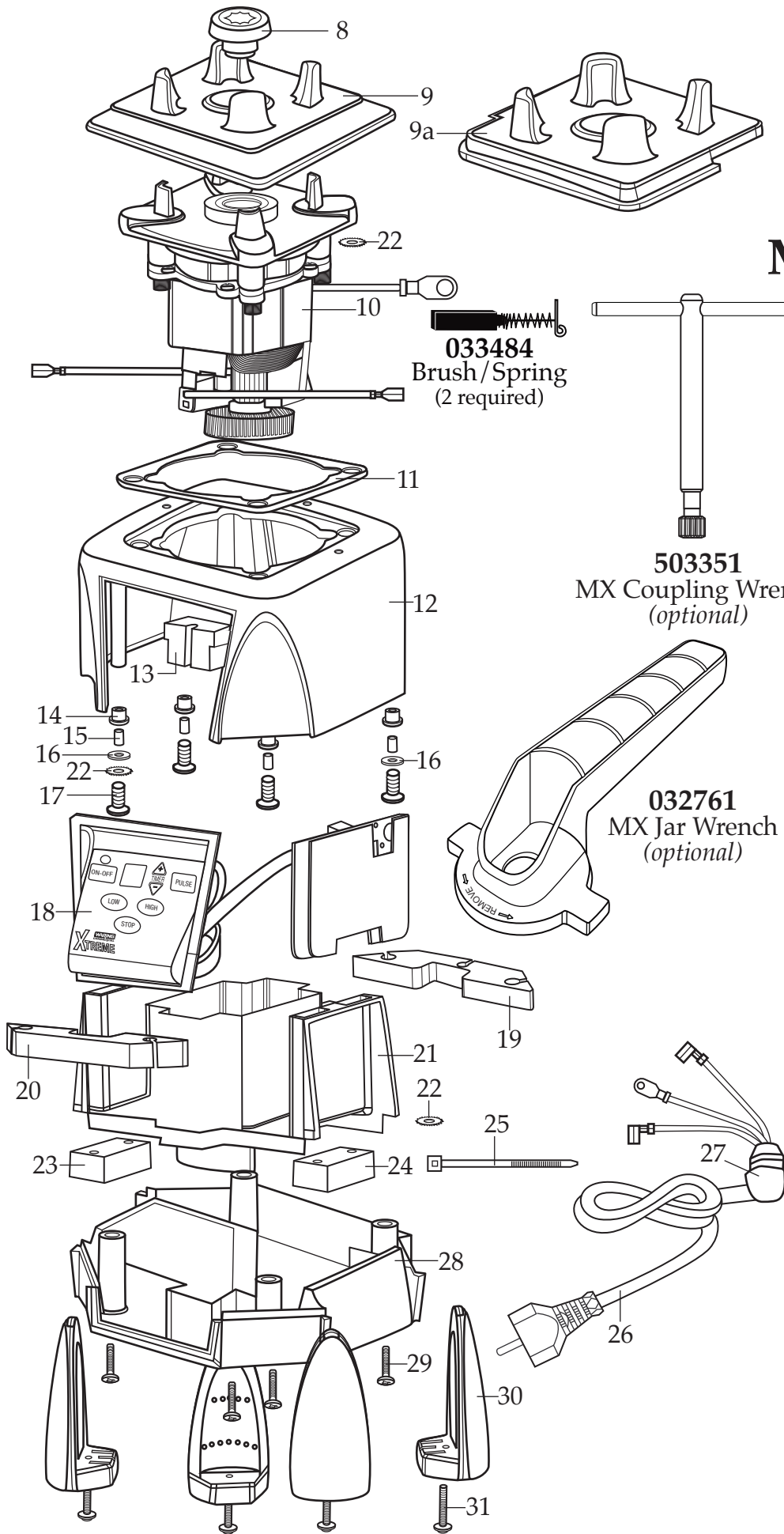


WARING COMMERCIAL

MX1100XTXEE
64 oz. stackable container Europe

MX1100XTXSEE
64 oz. stackable container with
Sound Enclosure Europe



030889
Blending Assembly Kit

Catalog**Model**

MX1100TXEE
MX1100TXSEE

MX1100XT11CE
MX1100XT12CE



Illustration #	Part #	Description
1	028769-E	Jar Lid Cover
2	028768	Jar Lid
3	503326	Jar ONLY (64 oz. stackable)
	503398	Jar with Blending Assyembly (64 oz. stackable)
4	503397	Blade Assembly
5	024271	Bearing Holder O Ring
6	024268	Nut Gasket
7	029631	Bearing Holder Nut
8	028538	Drive Coupling
9	026442	Jar Pad
9a	026443	Jar Pad for sound enclosure
10	028823	Motor
11	026437	Dampening Plate Gasket
12	503382-E	Top Housing with Ferrite Core & Cord
	028032-09	Top Housing-black (<i>older units</i>)
13	028541	Motor Foam (2 required)
14	026439	Dampening Plate Bushing (4 required)
15	026453	Dampening Plate Sleeve (4 required)
16	026459	Washer (2 required)
17	028929	Screw (4 required)
18	029815	Soft Start Control Panel
19	028248	Housing Foam Baffle-rear
20	028249	Housing Foam Baffle-front
21	028240	Motor Housing
22	002943	Washer (3 required)
23	028247	Bottom Housing Foam Baffle
24	028542	Foam Baffle
25	013731	Cable Tie (3 required)
26	503382-E	Top Housing with Ferrite Core & Cord
	503141	Cord Set (<i>older units</i>)
27	007556	Strain Relief
28	028241-09-x	Bottom Housing-black

Catalog

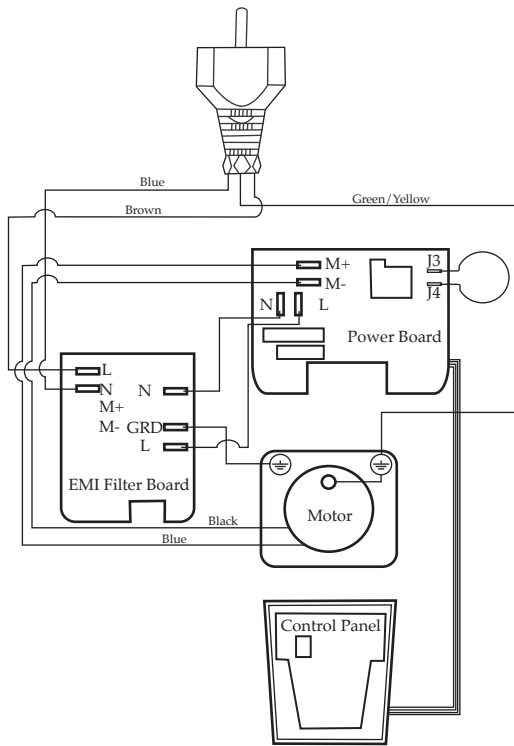
Model

MX1100XTXEE
MX1100XTXSEE

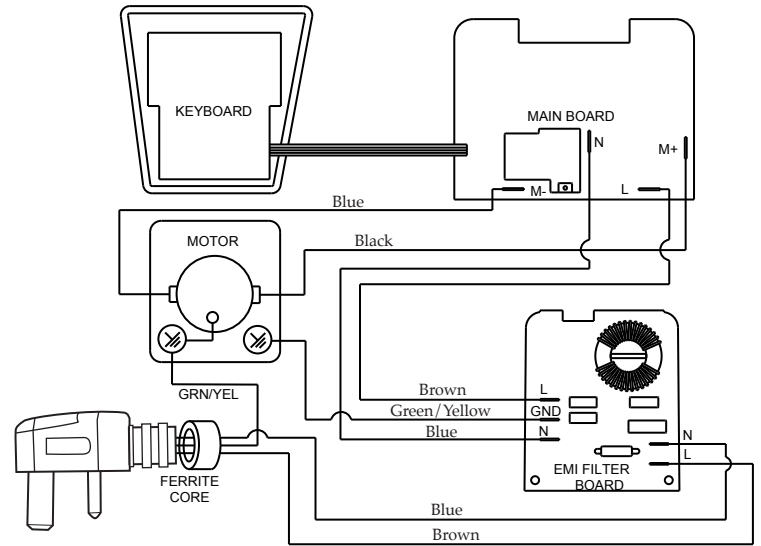
MX1100XT11CE
MX1100XT12CE

Waring Factory Service Center
314 Ella T. Grasso Ave.
Torrington, CT 06790
Tele. 1-800-269-6640
Fax 860-496-9017
www.waringproducts.com

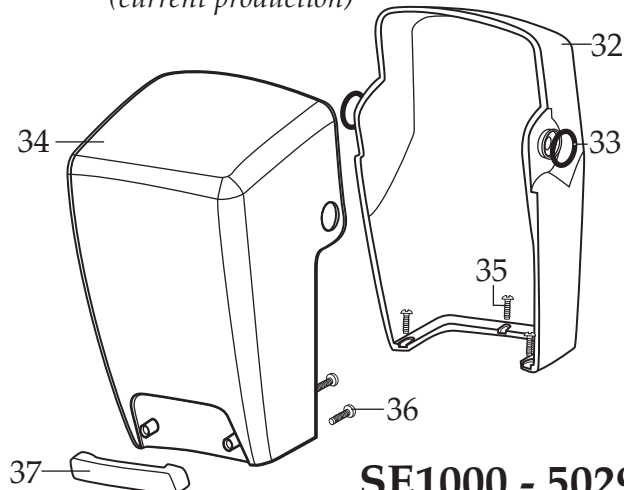
Illustration #	Part #	Description
29	012505	Screw (4 required)
30	026430	Corner Post (4 required)
31	028928	Screw (4 required)
32	026432-E	Inner Sound Enclosure-SE1000
33	027447	"O" Ring (2 required)
34	026433-E	Outer Sound Enclosure-SE1000
35	026461	Screw (3 required)
36	012505	Screw (2 required)
37	026434	Sound Enclosure Handle



Wiring Diagram
(older units)



Wiring Diagram
(current production)



SE1000 - 502962 / 64 oz.